

## S11-S13F Series

### 10/100BASE-T SINGLE PORT TRANSFORMER MODULES

#### FEATURES

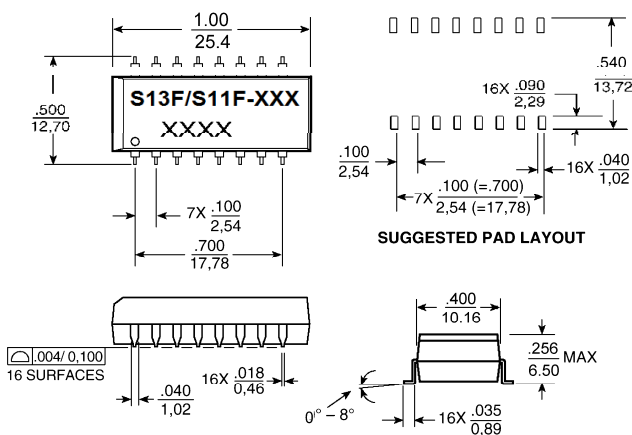
- Meets all IEEE 802.3 and ANSI X3.236 standards including 350  $\mu$ H OCL with 8 mA bias.
- IC grade transfer-molded package withstands 235°C IR reflow.
- Patented Interlock Base construction for high reliability.
- Recognized by UL 1950.

#### ELECTRICAL SPECIFICATIONS @25°C - Operating temperature 0°C TO 70°C

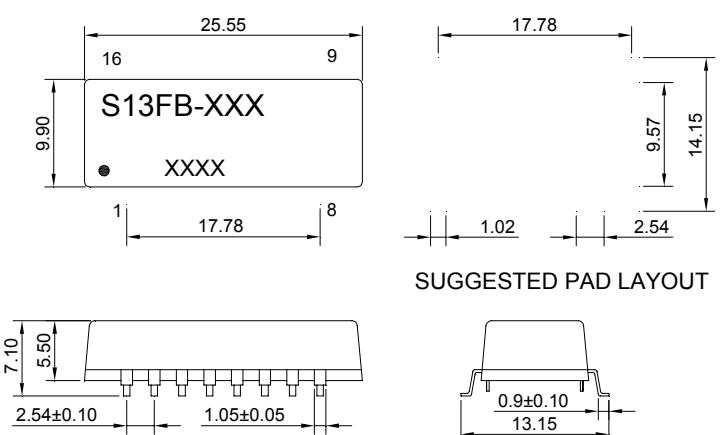
Part Number	Insertion Loss (dB MAX.)	Return Loss (dB MIN @100 $\Omega$ )				Differential to Common Mode Rejection (dB MIN)			Crosstalk (dB TYP)			Hipot (V <sub>RMS</sub> min)
		0.1-100MHz	1-30 MHz	40 MHz	50 MHz	60-80 MHz	30 MHz	60 MHz	100 MHz	30 MHz	60 MHz	
S13F-01L	-1.0	-18	-18	-16	-12	-50	-45	-40	-50	-40	-40	1500
S13F-02	-1.0	-20	-20	-18	-14	-42	-36	-33	-50	-40	-40	1500
S13F-04	-1.0	-22	-20	-18	-12	-45	-40	-35	-50	-40	-40	1500
S13F-05	-1.0	-16	-13.5	-11.5	-10	-45	-45	-35	-40	-38	-35	1500
S13F-05A	-1.0	-16	-13.5	-11.5	-10	-45	-45	-35	-40	-38	-35	1500
S13F-07	-1.0	-22	-20	-18	-12	-45	-40	-35	-50	-40	-40	1500
S13F-07A	-1.0	-18	-13.5	-11.5	-10	-42	-37	-33	-50	-40	-40	1500
S13F-07C	-1.0	-20	-20	-18	-14	-42	-36	-33	-50	-40	-40	1500
S13F-08	-1.0	-22	-20	-18	-12	-42	-38	-32	-50	-40	-40	1500
S13F-08A	-1.15	-16	-14	-12	-12	-40	-40	-35	-38	-38	-38	1500
S13F-09C	-1.0	-18	-13.5	-11.5	-10	-42	-37	-33	-50	-40	-40	1500
S13F-10C	-1.0	-18	-13.5	-11.5	-10	-42	-37	-33	-50	-40	-40	1500
S11F-03L	-1.0	-18	-16	-15	-12	-45	-40	-35	-50	-40	-40	1500
S11F-04	-1.0	-20	-18	-18	-14	-45	-40	-35	-45	-40	-35	1500
S13F-01D	-1.0	-16	-13.5	-11.5	-10	-45	-45	-35	-40	-35	-30	1500

#### MARKINGS AND DIMENSION

##### Molding



##### Bottom Potting



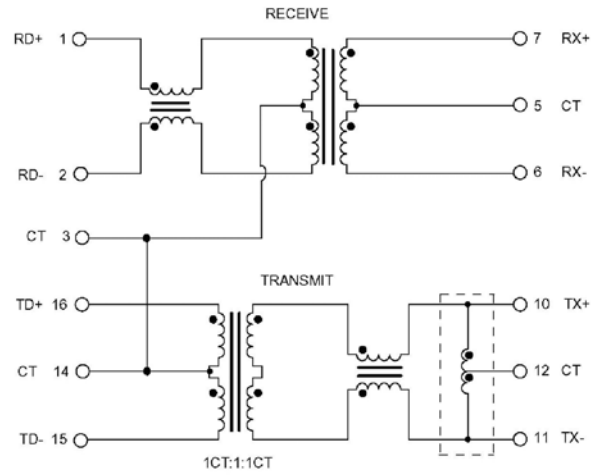
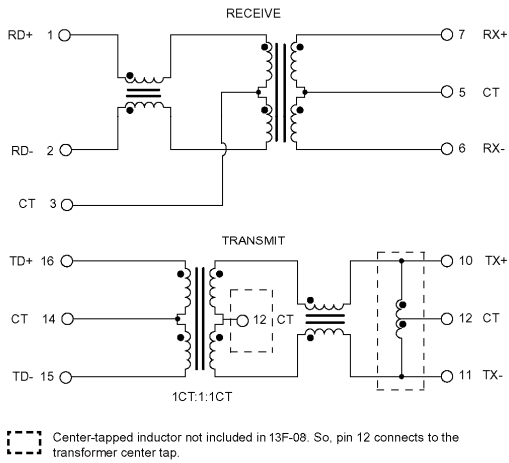
UNIT: mm Unless otherwise specified, all tolerances are  $\pm 0.25$

info@schmid-m.com

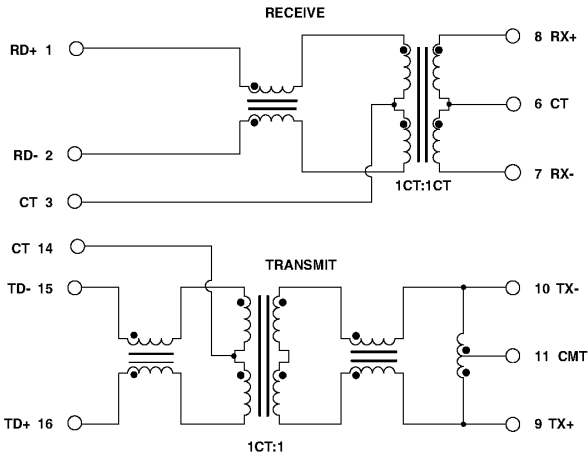
www.schmid-m.com.com

## SCHEMATICS

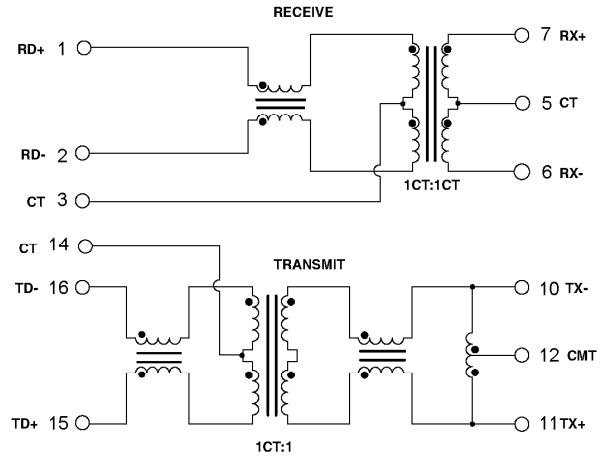
S13F-01L, S13F-02, S13F-04, S13F-08, S13F-09C S13F-01D



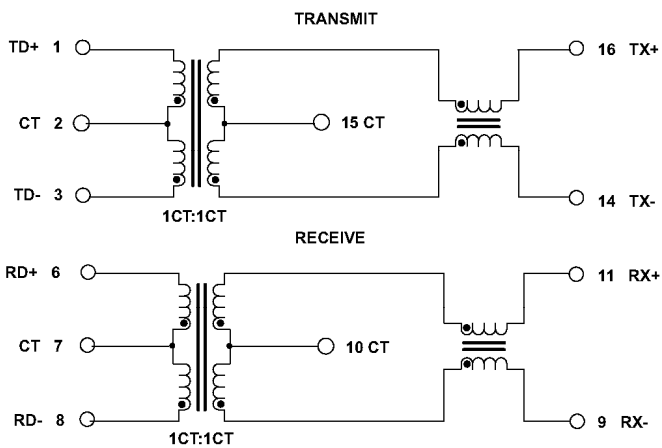
### S13F-05



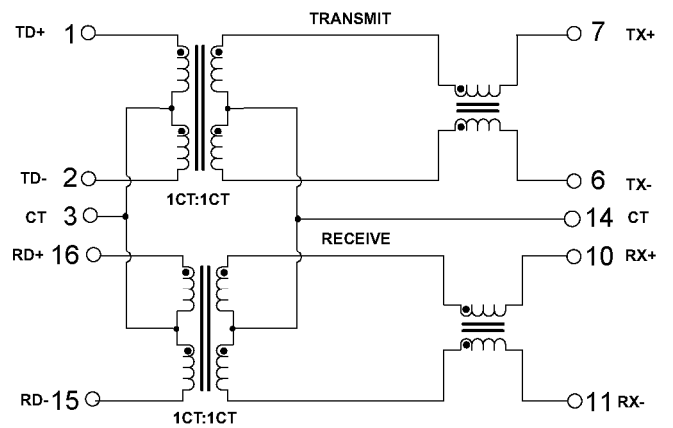
### S13F-05A



### S13F-07, 13F-10C



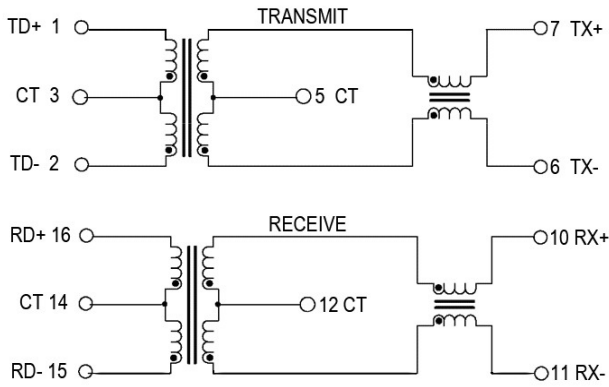
### S11F-07A



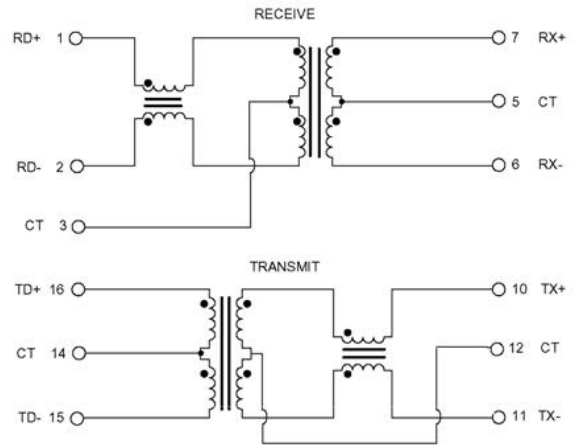
info@schmid-m.com

www.schmid-m.com.com

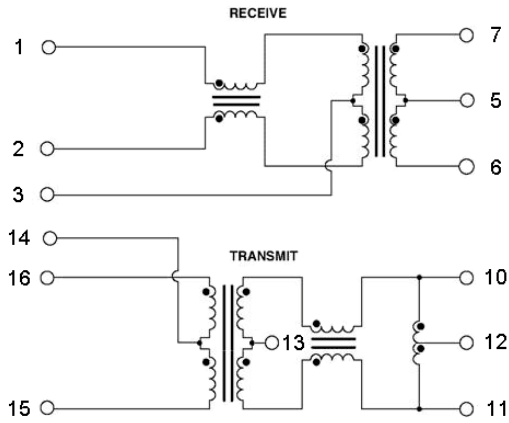
## S13F-07C



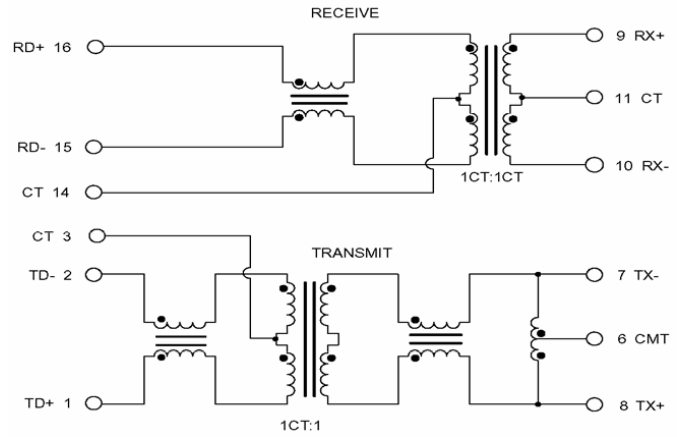
## S13F-08



## S13F-08A



## S11F-03L, S11F-04



info@schmid-m.com

www.schmid-m.com.com