

Flat Ferrite Cores – SRP Series

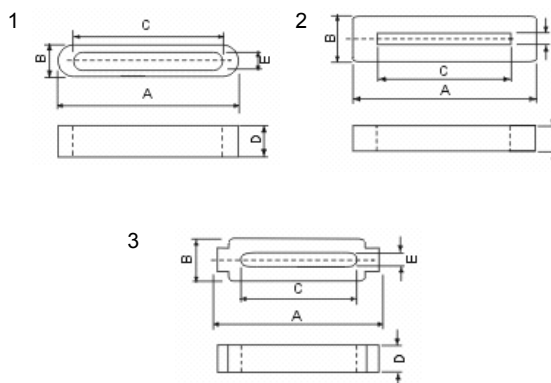
SCHMID-M



Features

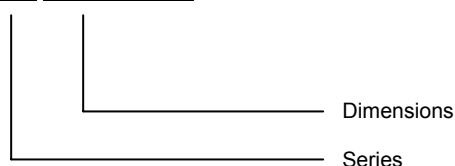
- Slot lengths from 16mm to 60mm. Precision formed smooth surfaces prevent damage to wire insulation
- Applications: Internal floppy disk and harddisk ribbon cables.
Internal ribbon cables between circuit boards and data connectors.
Internal ribbon cables with series digital signal busses

Shapes



Ordering Information

SRP 31.0x5.0x12.0



Characteristics

Shape#3: SRP2877146

Shape#2: SRP22357751905 / SRP23337 / SRP2356310 / SRP287722 / SRP38112254 / SRP45112510 / SRP451125286

Shape#1: all other parts

Part No.	Fig.	A	B	C	D	E	Impedance (Ω) min	
							25MHz	100MHz
SRP16.0x5.0x11.5	1	16.0 ± 0.4	5.0 ± 0.3	11.5 ± 0.4	12.0 ± 0.5	0.5 +0.6 -0.1	44	90
SRP16.0x5.0x11.5	2	16.0 ± 0.4	5.0 ± 0.3	11.5 ± 0.4	15.0 ± 0.6	0.5 +0.6 -0.1	50	110
SRP18.0x5.0x8.0	3	18.0 ± 0.4	5.0 ± 0.3	14.0 ± 0.4	8.0 ± 0.4	1.0 ± 0.3	24	55
SRP20.5x3.5x15.0	4	20.5 ± 0.5	3.5 +0.15 -0.25	16.5 ± 0.4	15.0 ± 0.6	0.5 +0.2 -0.15	34	88
SRP22.35x7.75x19.05	5	22.35 ± 0.51	7.75 ± 0.38	14.0 ± 0.25	19.05 ± 0.64	1.5 ± 0.25	68	120
SRP23.3x3.0x7.0	6	23.3 ± 0.7	3.0 ± 0.3	20.0 ± 0.5	7.0 ± 0.4	0.9 ± 0.15	20	60
SRP23.5x6.3x10.0	7	23.5 ± 0.7	6.3 ± 0.5	18.4 ± 0.4	10.0 ± 0.4	1.1 ± 0.3	32	75
SRP25.0x5.0x12.0	8	25.0 ± 0.7	5.0 ± 0.4	21.0 ± 0.5	12.0 ± 0.5	1.1 ± 0.2	27	75
SRP25.0x3.5x15.0	9	25.0 ± 0.8	3.5 +0.15 -0.25	24.0 ± 0.4	15.0 ± 0.6	0.5 +0.2 -0.15	30	88
SRP28.0x6.5x15.0	10	28.0 ± 0.8	6.5 ± 0.5	23.0 ± 0.5	15.0 ± 0.6	1.0 ± 0.3	30	85
SRP28.5x6.5x18.0	11	28.5 ± 0.8	6.5 ± 0.5	23.5 ± 0.5	18.0 ± 0.7	1.0 ± 0.3	40	95
SRP28.0x7.7x14.6	12	28.0 ± 0.8	7.7 ± 0.5	23.0 ± 0.5	14.6 ± 0.4	1.4 ± 0.4	38	85
SRP28.0x7.7x22.0	13	28.0 ± 0.8	7.7 ± 0.5	23.0 ± 0.5	22.0 ± 0.6	1.4 ± 0.4	52	110
SRP28.6x7.7x25.0		28.6 ± 0.85	7.7 ± 0.5	23.6 ± 0.8	25.0 ± 0.8	1.8 ± 0.4	45	95
SRP31.0x5.0x8.0	14	31.0 ± 0.8	5.0 ± 0.4	27.0 ± 0.6	8.0 ± 0.4	0.5 +0.7 -0.1	21	60
SRP31.0x5.0x9.0	15	31.0 ± 0.8	5.0 ± 0.4	27.0 ± 0.6	9.0 ± 0.4	0.5 +0.7 -0.1	25	75
SRP31.0x5.0x12.0	16	31.0 ± 0.8	5.0 ± 0.4	27.0 ± 0.6	12.0 ± 0.5	0.5 +0.7 -0.1	30	85
SRP31.0x5.0x22.0	17	31.0 ± 0.8	5.0 ± 0.4	27.0 ± 0.6	22.0 ± 0.6	0.5 +0.7 -0.1	46	130
SRP33.5x3.5x15.0	18	33.5 ± 0.9	3.5 ± 0.3	27.0 ± 0.6	15.0 ± 0.6	1.4 ± 0.4	21	68
SRP33.5x4.0x12.0	19	33.5 ± 0.9	4.0 +0 -0.2	27.0 ± 0.6	12.0 ± 0.5	1.4 ± 0.4	19	60
SRP33.5x6.5x7.0	20	33.5 ± 0.9	6.5 ± 0.5	27.0 ± 0.6	7.0 ± 0.4	1.4 ± 0.4	20	57
SRP33.5x6.5x8.0	21	33.5 ± 0.9	6.5 ± 0.5	27.0 ± 0.6	8.0 ± 0.4	1.4 ± 0.4	21	60
SRP33.5x6.5x10.0	22	33.5 ± 0.9	6.5 ± 0.5	27.0 ± 0.6	10.0 ± 0.4	1.4 ± 0.4	24	65
SRP33.5x6.5x15.0	23	33.5 ± 0.9	6.5 ± 0.5	27.0 ± 0.6	15.0 ± 0.6	1.4 ± 0.4	32	81
SRP33.5x6.5x22.0	24	33.5 ± 0.9	6.5 ± 0.5	27.0 ± 0.6	22.0 ± 0.6	1.4 ± 0.4	43	95
SRP38.1x12.0x25.4	25	38.1 ± 1.0	12.0 ± 0.6	26.7 ± 0.6	25.4 ± 0.8	1.9 ± 0.4	83	145
SRP40.0x6.5x6.0	26	40.0 ± 1.0	6.5 ± 0.5	35.0 ± 0.7	6.0 ± 0.3	1.4 ± 0.4	16	50
SRP40.0x6.5x12.0	27	40.0 ± 1.0	6.5 ± 0.5	35.0 ± 0.7	12.0 ± 0.5	1.4 ± 0.4	25	72
SRP40.0x6.5x18.0	28	40.0 ± 1.0	6.5 ± 0.5	35.0 ± 0.7	18.0 ± 0.5	1.4 ± 0.4	32	84
SRP40.0x6.5x20.0	29	40.0 ± 1.0	6.5 ± 0.5	35.0 ± 0.7	20.0 ± 0.6	1.4 ± 0.4	35	88
SRP40.0x6.5x22.0	30	40.0 ± 1.0	6.5 ± 0.5	35.0 ± 0.7	22.0 ± 0.6	1.4 ± 0.4	37	95
SRP45.1x12.5x10.0	31	45.1 ± 1.0	12.5 ± 0.6	34.5 ± 0.8	10.0 ± 0.4	1.5 ± 0.5	30	72
SRP45.1x12.5x28.6	32	45.1 ± 1.0	12.5 ± 0.6	34.5 ± 0.8	28.6 ± 0.8	1.5 ± 0.5	80	165
SRP45.2x6.5x12.0		45.2 ± 1.0	6.5 ± 0.5	40.0 ± 0.8	12.0 ± 0.5	1.4 ± 0.4	24	72
SRP49.6x4.0x12.0		49.6 ± 1.0	4.0 ± 0.2	44.0 ± 0.8	12.0 ± 0.5	1.4 ± 0.4	19	63
SRP49.6x6.5x12.0		49.6 ± 1.0	6.5 ± 0.5	44.0 ± 0.8	12.0 ± 0.5	1.4 ± 0.4	22	68
SRP57.6x6.5x12.0		57.6 ± 1.2	6.5 ± 0.5	52.0 ± 1.0	12.0 ± 0.5	1.4 ± 0.4	22	70
SRP60.6x6.5x12.0		60.6 ± 1.2	6.5 ± 0.5	55.0 ± 1.0	12.0 ± 0.5	1.4 ± 0.4	28	92